



Microwave Antenna, High Performance, Dual Polarized, 10 ft
7.125 - 8.5 GHz

Product Description

RFS Microwave Antennas are designed for microwave systems in all common frequency ranges from 4 GHz to 15 GHz. Different options of survival windspeeds are available. This allows the use of antennas in areas where extreme wind conditions are normal. The antennas utilise a conventional feed system and are available in three performance classes offering complete flexibility when designing a network. High Performance antennas are ideally suited for systems where a good level of side lobe suppression is required. These antennas are required for use in networks where there is a high interference potential. Antennas are available in 2 ft (0.6m) to 12 ft (3.7m) diameters. The High Performance antennas are available in dual polarised (DAX) as well as in single polarised versions (DA). All antennas include a radome which is specially shaped (2 ft) or flexible (4 to 12 ft) to minimise its impact on the antenna's electrical characteristics.



Antenna

Technical Features

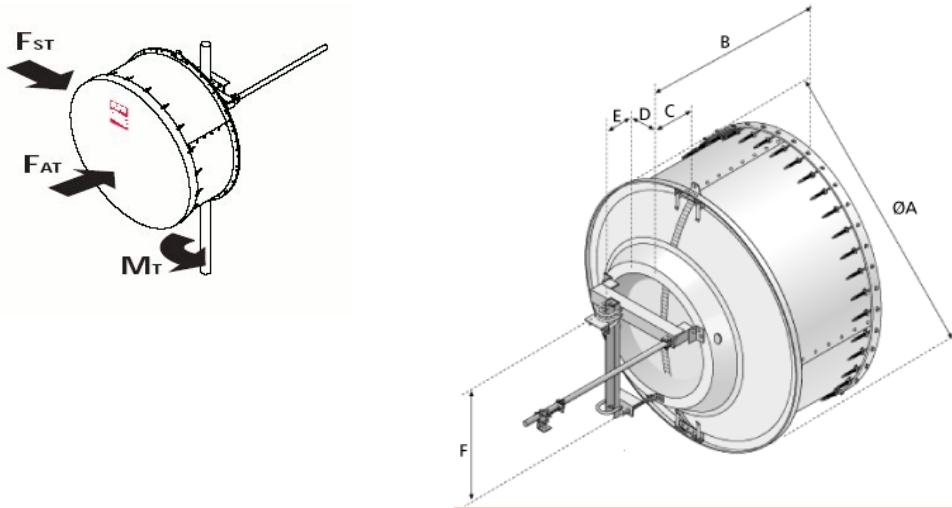
Product Type	Point to point antennas
Frequency, GHz	7.125 - 8.5
Diameter, ft (m)	10 (3.0)
Profile	Standard, 2-part reflector
Performance	High
Polarization	Dual
Regulatory Compliance	Standard, EN 302217
3dB beamwidth, (degrees)	0.9
Antenna Input	PDR 84
Low Band Gain, dBi	44.4
Mid Band Gain, dBi	45.1
High Band Gain, dBi	45.9
F/B Ratio, dB	70
XPD, dB	30
IPI, dB	35
Max VSWR / R L, dB	1.10 / 26.4
ETSI Standard	Range 1, class 2
Elevation Adjustment, degrees	± 5
Azimuth Adjustment, degrees	± 5
Polarization Adjustment, degrees	± 5
Pressure, bar (psi)	0.3 (4.3)
Radome	Included
Antenna color	White
Mounting Pipe Diameter minimum, mm (in)	114 (4.5)
Mounting Pipe Diameter maximum, mm (in)	114 (4.5)
Approximate Weight, kg (lb)	290 (638)
Survival Windspeed, km/h (mph)	200 (125)
Operational Windspeed, km/h (mph)	190 (118)

All information contained in the present datasheet is subject to confirmation at time of ordering



Microwave Antenna, High Performance, Dual Polarized, 10 ft
7.125 - 8.5 GHz

F _{ST} Side force max. at 110 km/h (68 mph), N (lb)	2900 (650)
F _{AT} Axial force max. at 110 km/h (68 mph), N (lb)	5860 (1312)
M Torque max. at 110 km/h (68 mph), Nm (ft lb)	3100 (2300)
F _{ST} Side force max. at 200 km/h (125 mph), N (lb)	9590 (2148)
F _{AT} Axial force max. at 200 km/h (125 mph), N (lb)	19370 (4340)
M Torque max. at 200 km/h (125 mph), Nm (ft lb)	10240 (7600)



All dimensions in mm (in)

ØA	B	C	ØD for mounting pipe diam.		E	F
3220 (126.8)	1640 (64.6)	550 (21.7)	219 (8.5)	114 (4.5)	89 (3.5)	51 (2.0)
			190 (7.5)		370 (14.6)	1440 (56.9)

Notes

includes 1 sway bar (3.0 m x Ø60 mm)

Documentation

[Complete Antenna installation](#)

[Radiation pattern: \(NSMA format\)](#)
[Radiation pattern: \(PDF format\)](#)

All information contained in the present datasheet is subject to confirmation at time of ordering